

Vivenis

Single lever bidet mixer with pop-up waste set

Surfaces: **Matt Black** Article Number: **75200670**



Description

product features

- consists of: single lever bidet mixer, waste set
- projection 130 mm
- ball-pivot joint
- spray type: laminar spray
- maximum flow rate at 3 bar: 7,5 l/min
- ceramic cartridge
- temperature limitation adjustable
- suitable for continuous flow water heaters
- pop-up waste set G 1¼
- material waste set: metal
- connection type: G ¾ connections
- connection dimension: DN15

Design awards

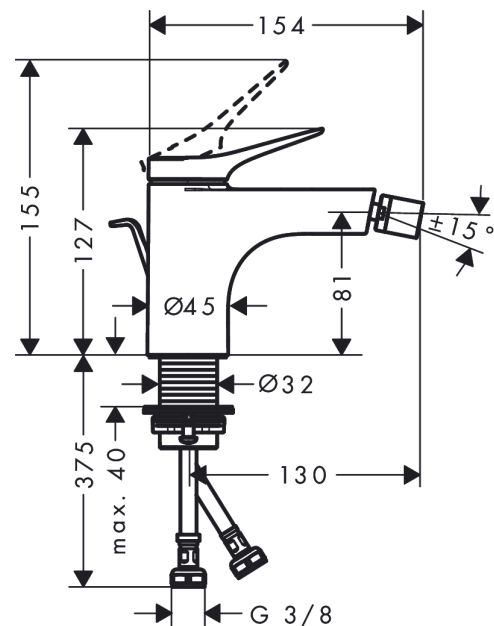


reddot winner 2021

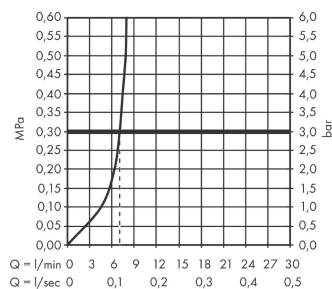
Product image



Scale drawing



Flowchart

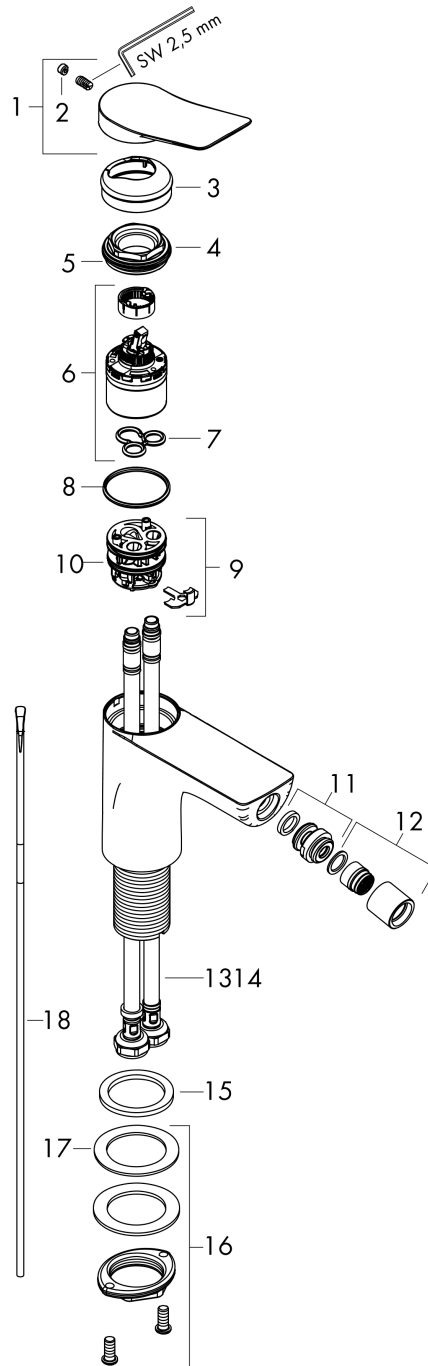


Vivenis
Single lever bidet mixer with pop-up waste set
 Surfaces: **Matt Black** Article Number: **75200670**



Exploded Drawing

Year of production: >06/21



Vivenis

Single lever bidet mixer with pop-up waste set

Surfaces: **Matt Black** Article Number: **75200670**



Spare part list

Year of production: >06/21

Pos.	Description	Article Number	Price	PU
1	handle	94277670	-	1
2	screw cover	93735610	-	1
3	escutcheon	94027670	-	1
4	nut	93995000	-	1
5	O-ring 35x1,5	92114000	-	1
6	cartridge, assy	93897000	-	1
7	seal	95008000	-	1
8	O-ring 35x2	92604000	-	1
9	adapter for cartridge	98750000	-	1
10	O-Ring 30x2	98186000	-	1
11	ball joint	97362670	-	1
12	aerator laminar M16x1 (7 l/min)	97360670	-	1
13	connection hose 450 mm M8x0,75 G3/8	97206000	-	1
14	O-ring 6,6x1,6	93019000	-	1
15	flat seal	98749000	-	1
16	fixing set (Ø 32)	13961000	-	1
17	lever collar	97548000	-	1
18	pull rod	96657000	-	1
a	pop up waste	94139670	-	1
b	fixation extension 35 mm	13898000	-	1